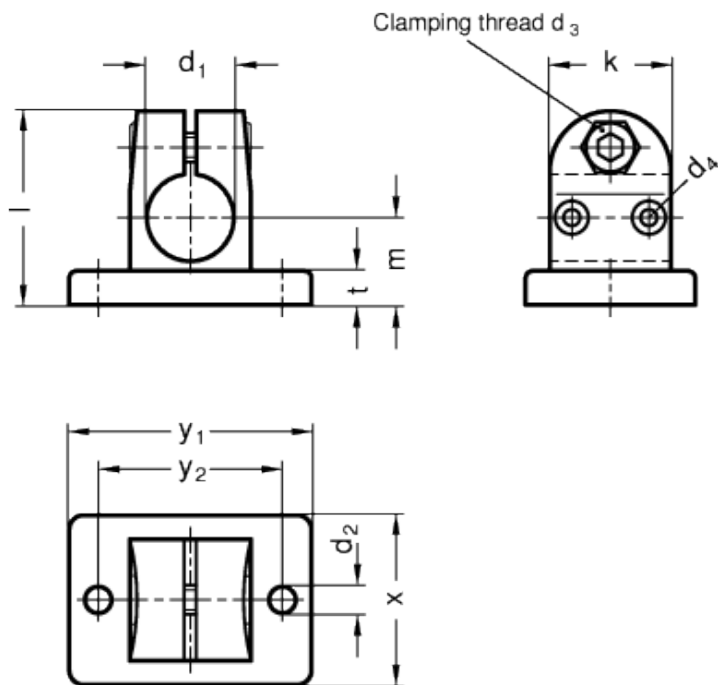


GN 145.1-NI

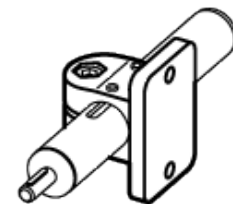
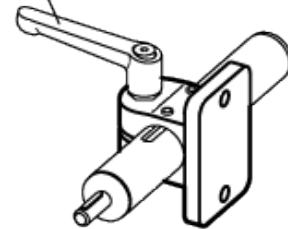
Connecting clamps with mounting base for linear actuators



INOX
Stainless Steel



Adjustable
clamping lever GN 911



technical informations

Material

AISI CF-8 stainless steel NI, matte shot-blasted.

Clamping screws

Identification no. 2: with AISI 304 stainless steel-clamping screw DIN 912 and nut DIN 985.

Assembly

The standard clamping bolts are socket cap screws DIN 912, supplied assembled. They can be replaced by clamping kits GN 911 (description see table of dimensions).

Features and applications

Linear actuator connectors GN 145.1-NI are normally supplied only in connection with a mounted linear actuator and for function control.

By means of the clamping screw on the guide bore d_1 the movement can either be set or the linear actuator connector can be clamped (after setting of final adjustment).

Accessories

- Tubings [GN 990](#).
- Linear actuators GN 291
- Linear actuators GN 292.
- Clamping kits [GN 911](#) (clamping handles GN 300.1 with distance bushing).

Standard Elements	Main dimensions												Clamping kits	Weight
Description	d_1 Bore with slider bush	d_2	d_3	d_4	k	l	m	t	x	y_1	y_2	For d_3	g	
GN 145.1-G18-2-NI	G 18	5.5	M 6	M 3	25	40	18	7	35	50	38	GN 911-M6-22	145	



STANDARD MACHINE ELEMENTS WORLDWIDE